

2MP WDR Super Starlight (Motorized) VF Eyeball Network IR Camera

IPC3632ER3-DUPZ-C



Key Features

Optics

- Super Starlight illumination
- Day/night functionality
- Optical glass window with higher light transmittance
- IR anti-reflection window to increase the infrared transmittance
- Smart IR, up to 30m (98ft) IR distance
- 2D/3D DNR (Digital Noise Reduction)
- Built-in motorized lens for remote zoom

Compression

- Ultra 265, H.264, MJPEG
- Embedded smart algorithm
- Triple streams
- 9:16 corridor mode

Network

- ONVIF Conformance

Structure

- Support PoE power supply
- Wide temperature range: -40°C ~ 60°C (-40°F ~ 140°F)
- Wide voltage range of ±25%
- IP67
- 3-Axis

Specifications

IPC3632ER3-DUPZ-C																
Camera																
Sensor	1/2.8", 2.0 megapixel, progressive scan, CMOS															
Lens	2.7 ~ 13.5 mm, AF automatic focusing and motorized zoom lens															
DORI Distance	<table border="1"> <thead> <tr> <th>Lens (mm)</th> <th>Detect (m)</th> <th>Observe (m)</th> <th>Recognize (m)</th> <th>Identify (m)</th> </tr> </thead> <tbody> <tr> <td>2.7</td> <td>41.9</td> <td>16.8</td> <td>8.4</td> <td>4.2</td> </tr> <tr> <td>13.5</td> <td>309.5</td> <td>83.8</td> <td>41.9</td> <td>20.9</td> </tr> </tbody> </table>	Lens (mm)	Detect (m)	Observe (m)	Recognize (m)	Identify (m)	2.7	41.9	16.8	8.4	4.2	13.5	309.5	83.8	41.9	20.9
	Lens (mm)	Detect (m)	Observe (m)	Recognize (m)	Identify (m)											
	2.7	41.9	16.8	8.4	4.2											
13.5	309.5	83.8	41.9	20.9												
Angle of view (H)	121.36° ~ 33.51°															
Angle of View (V)	74.1° ~ 13.2°															
Angle of View (O)	157.8° ~ 41.2°															
Adjustment angle	Pan: 0° ~ 360° Tilt: 0° ~ 90° Rotate: 0° ~ 360°															
Shutter	Auto/Manual, shutter time: 1 ~ 1/100000s															
Minimum Illumination	Colour: 0.0005Lux (F1.2, AGC ON) 0Lux with IR															
Day/Night	IR-cut filter with auto switch (ICR)															
Digital noise reduction	2D/3D DNR															
S/N	>52dB															
IR Range	Up to 30m (98ft) IR range															
Defog	Digital Defog															
WDR	120dB															
Video																
Video Compression	Ultra 265, H.264, MJPEG															
H.264 code profile	Baseline profile, Main Profile, High Profile															
Frame Rate	Main Stream: 2MP (1920*1080), Max 30fps, ; Sub Stream: 2MP (1920*1080), Max 30fps; Third Stream: D1 (720*576), Max 30fps															
9:16 Corridor Format	Supported															
HLC	Supported															
BLC	Supported															
OSD	Up to 8 OSDs															
Privacy Mask	Up to 8 areas															
ROI	Up to 8 areas															
Motion Detection	Up to 4 areas															

Smart

Behavior Detection	Intrusion, cross line, motion detection
Intrusion	Enter and loiter in a pre-defined virtual region
cross line	Cross a pre-defined virtual line
motion detection	Moving within a pre-defined virtual region
Recognition	Face detection, Audio detection
Intelligent Identification	Defocus, Scene Change, Object Left, Object Moving
Statistical Analysis	People counting
General Function	Watermark, IP Address Filtering, Tampering Alarm, Access Policy, ARP Protection, RTSP Authentication, User Authentication

Audio

Audio Compression	G.711
Suppression	Supported
Sampling Rate	8KHZ

Storage

Edge Storage	Micro SD, up to 256GB
Network Storage	ANR

Network

Protocols	IPv4, IGMP, ICMP, ARP, TCP, UDP, DHCP, PPPoE, RTP, RTSP, RTCP, DNS, DDNS, NTP, FTP, UPnP, HTTP, HTTPS, SMTP, 802.1x, SNMP, QoS
Compatible Integration	ONVIF (Profile S, Profile G, Profile T), API

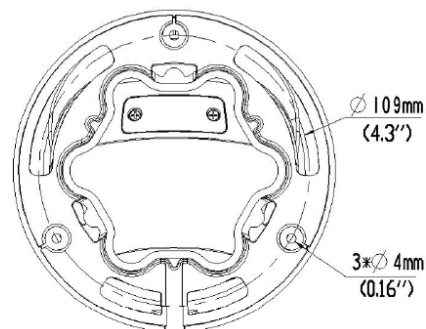
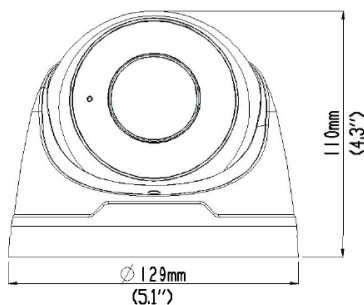
Interface

Network	1 RJ45 10M/100M Base-TX Ethernet
Built-in Mic	Supported

General

Power	DC 12V±25%, PoE (IEEE 802.3af)
	Power consumption: Max 8.16W
Dimensions (Ø x H)	Φ129 x 110mm (Ø5.08" x 4.3")
Weight	0.67kg (1.48lb)
Working Environment	-40°C ~ 60°C (-40°F ~ 140°F), Humidity: ≤95% RH (non-condensing)
Ingress Protection	IP67
Reset Button	Supported

Dimensions



Zhejiang Uniview Technologies Co., Ltd.

Building No.10, Wanlun Science Park, Jiangling Road 88, Binjiang District, Hangzhou, Zhejiang, China (310051)

Email: overseasbusiness@uniview.com; globalsupport@uniview.com

<http://www.uniview.com>

©2019 Zhejiang Uniview Technologies Co., Ltd. All rights reserved.

*Product specifications and availability are subject to change without notice.